

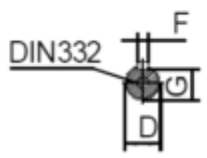
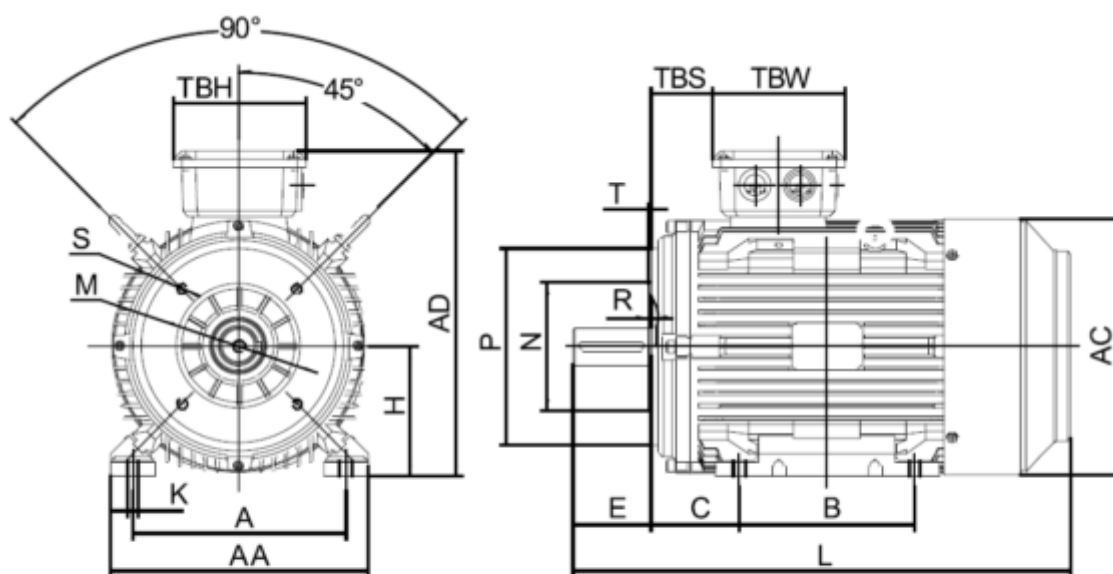
Data Sheet



Article number: 250304500226

Description: Kleedrive T3C 225M-2 45.0KW 2800 rpm
3x400/690V 50HZ IP55 B34 Eff=94%

Measures



A = 356	F = 16	P =
AA = 440	G = 49	R =
AC = Ø459	H = 225	S = -
AD = 558	HD = 333	T =
B = 311	K = Ø19	TBH = 233
C = 149	L = 805	TBS = 211.5
D = Ø55	M =	TBW = 186
E = 110	N =	